

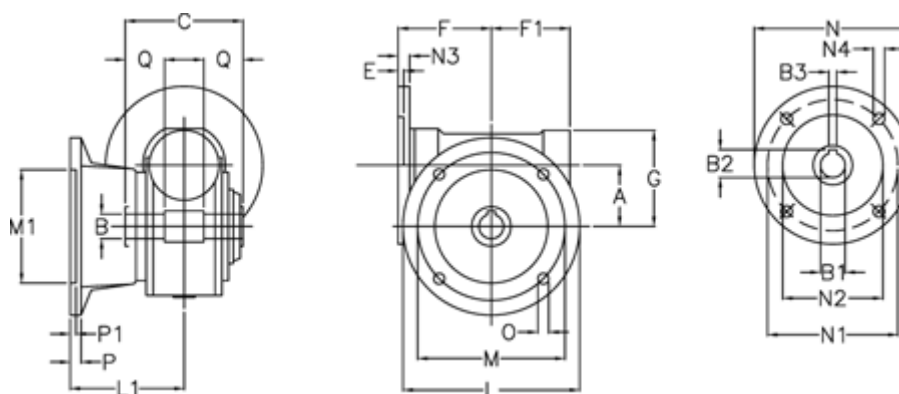
Data Sheet



Article number: 3918044035428

Description: Worm gear with st. steel hollow shaft
VF 44 EP-F1-35- 71B14

Measures



| | | | | | |
|-------|--------|----|--------|----|--------|
| A | = 44.6 | F1 | = 54 | N2 | = 70 |
| B | = 18 | G | = 71 | N3 | = 10.0 |
| B1 E7 | = 14 | L | = 110 | N4 | = 7.0 |
| B2 | = 16.3 | L1 | = 60.5 | O | = 8.5 |
| B3 H9 | = 5 | M | = 87 | P | = 9 |
| C | = 64 | M1 | = 60 | P1 | = 7 |
| E | = 2.0 | N | = 105 | Q | = 24.5 |
| F | = 65 | N1 | = 85 | | |